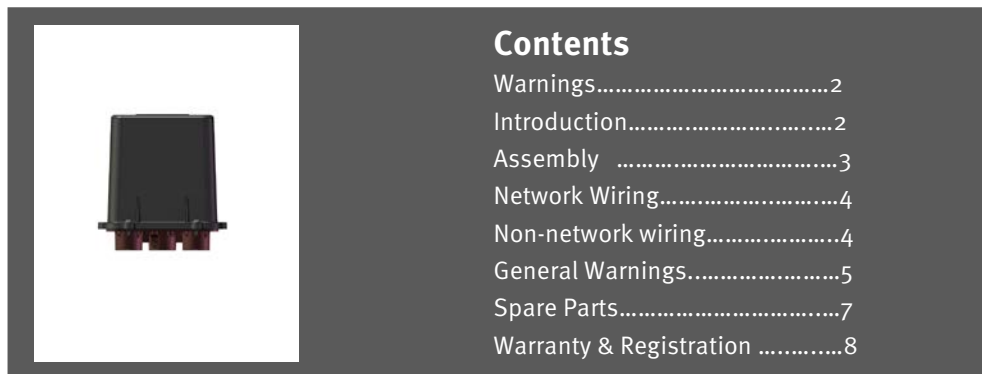




70W and 140W Junction Box Transformer Kit

For ColorLogic® and CrystaLogic™ Pool, Spa and Accent Lights Spa Lights

Owner's Manual



MODELS:

LRBUY11H70

LTBUY11H70

LRBUY11H14

LTBUY11H14

IMPORTANT SAFETY INSTRUCTIONS

Basic safety precautions should always be followed, including the following: Failure to follow instructions can cause severe injury and/or death.

⚠ This is the safety-alert symbol. When you see this symbol on your equipment or in this manual, look for one of the following signal words and be alert to the potential for personal injury.

⚠ WARNING warns about hazards that **could** cause serious personal injury, death or major property damage and if ignored presents a potential hazard.


⚠ CAUTION warns about hazards that **will** or **can** cause minor or moderate personal injury and/or property damage and if ignored presents a potential hazard. It can also make consumers aware of actions that are unpredictable and unsafe.

The **NOTICE** label indicates special instructions that are important but not related to hazards.

Hayward Pool Products
620 Division Street, Elizabeth, NJ 07207
Phone: (908) 351.5400
www.hayward.com



 **WARNING** – Read, understand, and follow all instructions in this owner’s manual and on the equipment. Failure to follow instructions can cause severe injury and/or death.

 **WARNING** – Risk of Electric Shock. All electrical wiring MUST be in conformance with applicable local codes, regulations, and the National Electric Code (NEC). Hazardous voltage can shock, burn, and cause death or serious property damage. To reduce the risk of electric shock, do NOT use an extension cord to connect unit to electric supply. Provide a properly located electrical receptacle. Before working on any electrical equipment, **turn off power supply** to the equipment. To reduce the risk of electric shock replace damaged wiring immediately. Locate conduit to prevent abuse from lawn mowers, hedge trimmers and other equipment. Do NOT ground to a gas supply line.

WARNING – Risk of Electric Shock. Networked ColorLogic Lights and related electrical connections are receiving electrical power at all times even when the lights are off! Hazardous voltage can shock, burn, and cause death or serious property damage. To reduce the risk of electric shock Turn off power at main breaker before servicing ColorLogic lights.

Notice:- This product should be installed and serviced only by a qualified professional.

ATTENTION INSTALLER –THIS MANUAL CONTAINS IMPORTANT INFORMATION ABOUT THE INSTALLATION, OPERATION, AND SAFE USE OF THIS PRODUCT. THIS MANUAL SHOULD BE FURNISHED TO THE END USER.

Introduction

The Hayward Junction Box Transformer Kits LRBUY11H70, and LRBUY11H14 are for use when retrofitting an existing Hayward series LJBUY00PP1 Junction Box for use with Hayward Universal ColorLogic® and CrystaLogic™ pool, spa, and accent lights. The assemblies consist of a cover, and one or two class 2 swimming pool power units. Each light requires one Hayward transformer. The LRBUY11H14 can support 2 lights.

LTBUY11H70 and LTBUY11H14 Hayward Junction Box Transformer Kits are for new installations. The assemblies consist of a cover, base and one or two class 2 swimming pool power units. Each light requires one Hayward transformer. The LTBUY11H14 can support 2 lights.

For Metal Conduit Installation, please purchase adapter kit LJADAPTMM1.

Junction Box transformer kits are compatible with Hayward Universal ColorLogic® and CrystaLogic™ pool, spa, and accent lights:

LPCUS11XXX	LPCUN11XXX	LSCUS11XXX
LSCUN11XXX	LSLUS11XXX	LPLUS11XXX
LPWUSXXX	LACUSXXX	LYCUSXXX
LACUNXXX	LYCUNXXX	

Transformer and Wiring

The transformers are designed to fit on the junction box base and within the cover. There are wiring compartments above and below the transformer platform.

Note: Lever action terminal blocks are provided to aid in the installation. Open the levers all the way before inserting the wires. Close the levers to lock the wires in place.

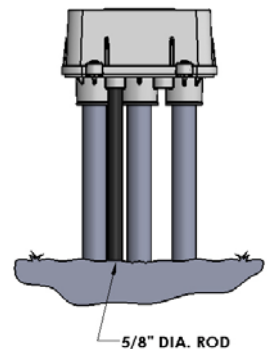




ASSEMBLY INSTRUCTIONS

To assure the assembly is water tight; the kits must be installed per the following instructions. Following the instructions will assure the assemblies meet UL 1241 "Junction Boxes for Swimming Pool Luminaries". See illustration on **Page 7**

- ▲ **WARNING – Risk of Electric Shock.** Hazardous voltage can shock, burn, and cause death or serious property damage. Before working on any electrical equipment, **turn off power** supply to the equipment.
 - ▲ **WARNING – Risk of Electric Shock.** Hazardous voltage can shock, burn, and cause death or serious property damage. Networked ColorLogic Lights and related electrical connections are receiving electrical power at all times, even when off. To reduce the risk of electric shock, **turn off power** supply at the main breaker before servicing ColorLogic lights.
- 1) If this is an existing installation with a Hayward LJBUYooPP1 junction box, remove the four screws and the cover. The original cover can be discarded.
 - 2) For new installations the base has three 1" Conduit connections. Polymer conduit must be cemented to the base. Water tight connections are required. The Base should be a minimum of 12" above the pool surface. If required cement the 3/4" x 1" bushings into place. A recommended epoxy is Oatey® clear primer and clear medium cement for PVC and CPVC. Connect the conduit from the pool niche to the either outside hole. Additional mechanical support of the base is required by NEC code. The base has two 5/8" diameter bosses that will accept 1/2" copper rigid tubing or 5/8" rod. At least one rod must be supported in the ground and properly located to go into one of the bosses. (See illustration)
 - 3) Install the Light in the niche. Pull the light cord through the conduit. Install the Strain relief bushing over the cable. NOTE: The strain relief SPo68oK is designed for 16 gauge 3 conductor STW cord and 12 gauge 2 conductor SJTW cord. The package includes two plastic sleeves to secure 14 gauge 2 conductor wire SJTW cord. These sleeves are to be used over the light's wire and into the rubber strain relief.
 - 4) Place the washer, small side up, over the cord and onto the rubber strain relief. Install the Locking nut, screw clockwise, to fully tighten on the base.
 - 5) For metallic niches, a bonding wire is required from the niche to the Junction Box. This bonding wire must comply with local codes (No. 8 or 6 AWG). It is to be secured to one of the holes in the ground strip on the inside of the junction box base.
 - 6) Run electrical cable through the conduit per NEC code, and applicable local codes from the power source to the Junction Box. The design is for center hole power installation.
 - 7) Connect the green ground lead from the power source to the ground terminal strip in the junction box.
 - 8) If no additional conduits are to be installed in the base, seal by cementing, the unused hole with the plug provided.
 - 9) Connect the junction box to the Bonding grid utilizing the provided bonding lug, as required by paragraph 680.26 of the NEC.
 - 10) Assemble the electrical connections per the following pages.
 - 11) Make sure a gasket is in place. If the original gasket is in good shape it can be used, or use the replacement gasket.
 - 12) The Hayward cover is held on by four screws through the four holes in the cover, and through the base. The screw to nut should be torqued to 19 inch*pounds.



▲ WARNING – Risk of Electric Shock. Hazardous voltage can shock, burn, and cause death or serious property damage. To reduce the risk of electric shock all unused openings in the junction box base must be closed with acceptable plugs.

Wiring Networked Universal ColorLogic Lights

If networked communications between a Hayward Pro Logic controller and Universal ColorLogic light will be employed, a Coupler, Hayward LKBUN1000, must first be installed.

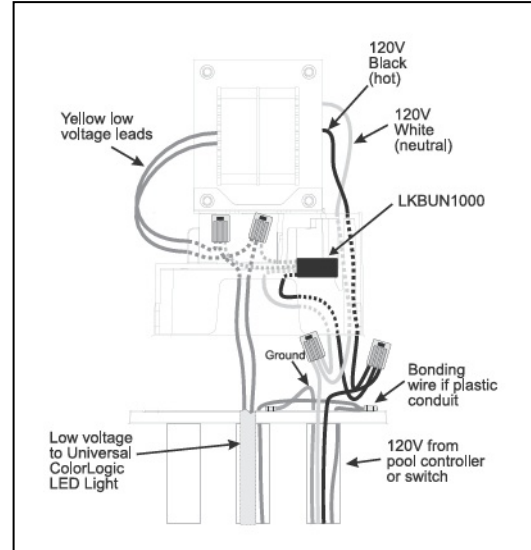
Refer to the Coupler's manual for detailed installation instructions.

Be sure that the high voltage and low volt connections are separated as shown in the diagram at the right (high voltage connections underneath the transformer housing, low voltage connections above).

On the input side, the LKBUN1000's black and white wires are connected in parallel with the 120V input wires and the transformer's black and white primary wires.

On the output side, the LKBUN1000's orange wires are connected in parallel with the transformer's yellow wires and the yellow leads from the Universal ColorLogic light.

NOTE: The illustration above may not be the same entry conduit for the high voltage line as encountered in the field. Wiring for two transformers may be required.



Wiring Non-Networked Universal ColorLogic Lights

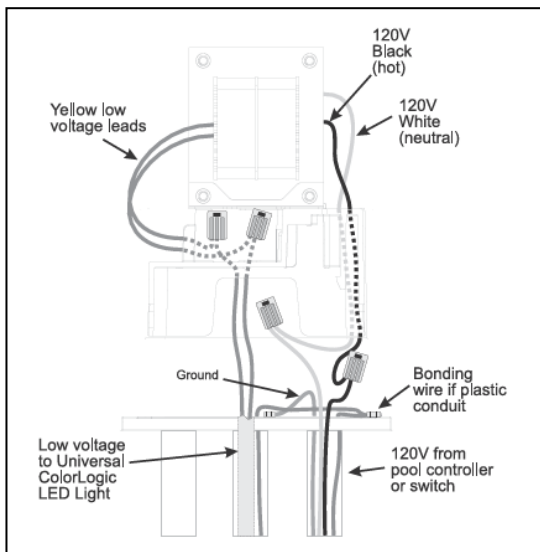
Be sure that the high voltage and low volt connections are separated as shown in the diagram below (high voltage connections underneath the transformer housing, low voltage connections above).

On the input side, the black and white 120V input wires connect to the transformer's black and white primary wires.

On the output side, the transformer's yellow wires are connected to the yellow leads from the Universal ColorLogic/CrystalLogic light.

NOTE: The illustration below may not be the same entry conduit for the high voltage line as encountered in the field. Wiring for two transformers may be required.

NOTE: After wiring, the cover must be securely fastened to the junction box with four (4) screws and nuts.





HAYWARD®



⚠ WARNING - Read and follow all instructions in this owner's manual and on the equipment. Failure to follow instructions can cause severe injury and/or death.

⚠ WARNING – Suction Entrapment Hazard.

Suction in suction outlets and/or suction outlet covers which are, damaged, broken, cracked, missing, or unsecured can cause severe injury and/or death due to the following entrapment hazards:



Hair Entrapment- Hair can become entangled in suction outlet cover.



Limb Entrapment- A limb inserted into an opening of a suction outlet sump or suction outlet cover that is damaged, broken, cracked, missing, or not securely attached can result in a mechanical bind or swelling of the limb.



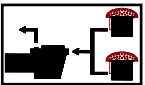
Body Suction Entrapment- A negative pressure applied to a large portion of the body or limbs can result in an entrapment.

Evisceration/ Disembowelment - A negative pressure applied directly to the intestines through an unprotected suction outlet sump or suction outlet cover which is, damaged, broken, cracked, missing, or unsecured can result in evisceration/ disembowelment.



Mechanical Entrapment- There is potential for jewelry, swimsuit, hair decorations, finger, toe or knuckle to be caught in an opening of a suction outlet cover resulting in mechanical entrapment.

⚠ WARNING - To Reduce the risk of Entrapment Hazards:



- o When outlets are small enough to be blocked by a person, a minimum of two functioning suction outlets per pump must be installed. Suction outlets in the same plane (i.e. floor or wall), must be installed a minimum of three feet (3') [1 meter] apart, as measured from near point to near point.
- o Dual suction fittings shall be placed in such locations and distances to avoid “dual blockage” by a user.
- o Dual suction fittings shall not be located on seating areas or on the backrest for such seating areas.
- o The maximum system flow rate shall not exceed the flow rating of as listed on Table 1.
- o Never use Pool or Spa if any suction outlet component is damaged, broken, cracked, missing, or not securely attached.
- o Replace damaged, broken, cracked, missing, or not securely attached suction outlet components immediately.
- o In addition two or more suction outlets per pump installed in accordance with latest ASME, APSP Standards and CPSC guidelines, follow all National, State, and Local codes applicable.
- o Installation of a vacuum release or vent system, which relieves entrapping suction, is recommended.

⚠ WARNING – Failure to remove pressure test plugs and/or plugs used in winterization of the pool/spa from the suction outlets can result in an increase potential for suction entrapment as described above.

⚠ WARNING – Failure to keep suction outlet components clear of debris, such as leaves, dirt, hair, paper and other material can result in an increase potential for suction entrapment as described above.

⚠ WARNING – Suction outlet components have a finite life, the cover/grate should be inspected frequently and replaced at least every ten years or if found to be damaged, broken, cracked, missing, or not securely attached.

⚠ CAUTION – Components such as the filtration system, pumps and heater must be positioned so as to prevent their being used as means of access to the pool by young children. To reduce risk of injury, do not permit children to use or climb on this product. Closely supervise children at all times. Components such as the filtration system, pumps, and heaters must be positioned to prevent children from using them as a means of access to the pool.



⚠ WARNING – Hazardous Pressure. Pool and spa water circulation systems operate under hazardous pressure during start up, normal operation, and after pump shut off. Stand clear of circulation system equipment during pump start up. Failure to follow safety and operation instructions could result in violent separation of the pump housing and cover, and/or filter housing and clamp due to pressure in the system, which could cause property damage, severe personal injury, or death. Before servicing pool and spa water circulation system, all system and pump controls must be in off position and filter manual air relief valve must be in open position. Before starting system pump, all system valves must be set in a position to allow system water to return back to the pool. Do not change filter control valve position while system pump is running. Before starting system pump, fully open filter manual air relief valve. Do not close filter manual air relief valve until a steady stream of water (not air or air and water) is discharged.



⚠ WARNING – Separation Hazard. Failure to follow safety and operation instructions could result in violent separation of pump and/or filter components. Strainer cover must be properly secured to pump housing with strainer cover lock ring. Before servicing pool and spa circulation system, filters manual air relief valve must be in open position. Do not operate pool and spa circulation system if a system component is not assembled properly, damaged, or missing. Do not operate pool and spa circulation system unless filter manual air relief valve body is in locked position in filter upper body. **Never operate or test the circulation system at more than 50 PSI. Do not purge the system with compressed air.** Purging the system with compressed air can cause components to explode, with risk of severe injury or death to anyone nearby. Use only a low pressure (below 5 PSI), high volume blower when air purging the pump, filter, or piping.



HAYWARD®



⚠ WARNING – Risk of Electric Shock. All electrical wiring **MUST** be in conformance with applicable local codes, regulations, and the National Electric Code (NEC). Hazardous voltage can shock, burn, and cause death or serious property damage. To reduce the risk of electric shock, do **NOT** use an extension cord to connect unit to electric supply. Provide a properly located electrical receptacle. Before working on any electrical equipment, turn off power supply to the equipment. To reduce the risk of electric shock replace damaged wiring immediately. Locate conduit to prevent abuse from lawn mowers, hedge trimmers and other equipment. Do **NOT** ground to a gas supply line.

⚠ WARNING – Risk of Electric Shock Failure to ground all electrical equipment can cause serious or fatal electrical shock hazard. Electrical ground all electrical equipment before connecting to electrical power supply.

⚠ WARNING – Risk of Electric Shock Failure to bond all electrical equipment to pool structure will increase risk for electrocution and could result in injury or death. To reduce the risk of electric shock, see installation instructions and consult a professional electrician on how to bond all electrical equipment. Also, contact a licensed electrician for information on local electrical codes for bonding requirements.

Notes to electrician: Use a solid copper conductor, size 8 or larger. Run a continuous wire from external bonding lug to reinforcing rod or mesh. Connect a No. 8 AWG (8.4 mm²) [No. 6 AWG (13.3 mm²) for Canada] solid copper bonding wire to the pressure wire connector provided on the electrical equipment and to all metal parts of swimming pool, spa, or hot tub, and metal piping (except gas piping), and conduit within 5 ft. (1.5 m) of inside walls of swimming pool, spa, or hot tub.

IMPORTANT - Reference NEC codes for all wiring standards including, but not limited to, grounding, bonding and other general wiring procedures.

⚠ WARNING – Risk of Electric Shock . The electrical equipment must be connected only to a supply circuit that is protected by a ground-fault circuit-interrupter (GFCI). Such a GFCI should be provided by the installer and should be tested on a routine basis. To test the GFCI, push the test button. The GFCI should interrupt power. Push reset button. Power should be restored. If the GFCI fails to operate in this manner, the GFCI is defective. If the GFCI interrupts power to the electrical equipment without the test button being pushed, a ground current is flowing, indicating the possibility of an electrical shock. Do not use this electrical equipment. Disconnect the electrical equipment and have the problem corrected by a qualified service representative before using.

⚠ CAUTION – HAYWARD® pumps are intended for use with permanently-installed pools and may be used with hot tubs and spas if so marked. Do not use with storable pools. A permanently-installed pool is constructed in or on the ground or in a building such that it cannot be readily disassembled for storage. A storable pool is constructed so that it is capable of being readily disassembled for storage and reassembled to its original integrity.

⚠ WARNING – Risk of Hyperthermia. To avoid hyperthermia the following “Safety Rules for Hot Tubs” are recommended by the U.S. Consumer Product Safety Commission.

1. Spa or hot tub water temperatures should never exceed 104°F [40°C]. A temperature of 100°F [38°C] is considered safe for a healthy adult. Special caution is suggested for young children. Prolonged immersion in hot water can induce hyperthermia.
2. Drinking of alcoholic beverages before or during spa or hot tub use can cause drowsiness, which could lead to unconsciousness and subsequently result in drowning.
3. Pregnant women beware! Soaking in water above 100°F [38°C] can cause fetal damage during the first three months of pregnancy (resulting in the birth of a brain-damaged or deformed child). Pregnant women should adhere to the 100°F [38°C] maximum rule.
4. Before entering the spa or hot tub, users should check the water temperature with an accurate thermometer; spa or hot tub thermostats may err in regulating water temperatures by as much as 4°F (2.2°C).
5. Persons taking medications, which induce drowsiness, such as tranquilizers, antihistamines or anti-coagulants, should not use spas or hot tubs.
6. If the pool/spa is used for therapy, it should be done with the advice of a physician. Always stir pool/ spa water before entering the pool/spa to mix in any hot surface layer of water that might exceed healthful temperature limits and cause injury. Do not tamper with controls, because scalding can result if safety controls are not in proper working order.
7. Persons with a medical history of heart disease, circulatory problems, diabetes or blood pressure problems should obtain a physicians advice before using spas or hot tubs.
8. Hyperthermia occurs when the internal temperature of the body reaches a level several degrees above normal body temperature of 98.6°F [37°C]. The symptoms of Hyperthermia include: drowsiness, lethargy, dizziness, fainting, and an increase in the internal temperature of the body.

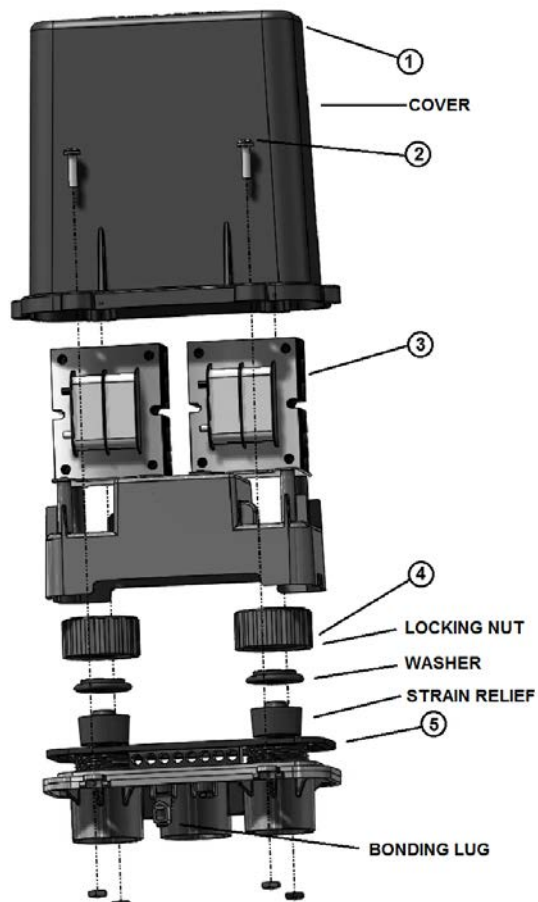
The effects of Hyperthermia include:

1. Unawareness of impending danger.
2. Failure to perceive heat.
3. Failure to recognize the need to leave the spa.
4. Physical inability to exit the spa.
5. Fetal damage in pregnant women.
6. Unconsciousness resulting in danger of drowning.

SAVE THESE INSTRUCTIONS

SPARE PARTS

REF NO.	PART NUMBER	DESCRIPTION	NO. REQ'D
1	SPXo68oBICL	Cap, Insert, 4 Cover Screws, Nuts and Cover gasket	1
2	SPX15ooNPAK4	Cover screws and nut kit (4)	1
3	SPXo68oTRF	UCL transformer	1 or 2
4	SPXo683PAK	Locknut, Washer & Strain Relief	1 or 2
5	SPXo683J	Gasket	1





HAYWARD[®]

PRODUCT REGISTRATION

DATE OF INSTALLATION _____

▲ Retain this Warranty Certificate (upper portion) in a safe and convenient location for your records.

HAYWARD[®] Pool Products Limited Warranty

To original purchasers of this equipment, Hayward Pool Products, Inc. warrants its Universal ColorLogic and CrystaLogic light transformers, power supplies and couplers to be free from defects in materials and workmanship for a period of ONE (1) year from the date of purchase, when used in single family residential applications.

The limited warranty excludes damage from freezing, negligence, improper installation, improper use or care or any Acts of God. Parts that fail or become defective during the warranty period shall be repaired or replaced, at our option, within 90 days of the receipt of defective product, barring unforeseen delays, without charge.

Proof of purchase is required for warranty service. In the event proof of purchase is not available, the manufacturing date of the product will be the sole determination of the purchase date.

To obtain warranty service, please contact the place of purchase or the nearest Hayward Authorized Service Center. For assistance on your nearest Hayward Authorized Service Center please visit us at www.hayward.com.

Hayward shall not be responsible for cartage, removal, repair or installation labor or any other such costs incurred in obtaining warranty replacements or repair.

The Hayward Pool products warranty does not apply to components manufactured by others. For such products, the warranty established by the respective manufacturer will apply.

The express limited warranty above constitutes the entire warranty of Hayward Pool Products with respect to its' pool products and is in lieu of all other warranties expressed or implied, including warranties of merchantability or fitness for a particular purpose. In no event shall Hayward Pool products be responsible for any consequential, special or incidental damages of any nature.

Some states do not allow a limitation on how long an implied warranty lasts, or the exclusion of incidental or consequential damages, so the above limitation may not apply to you. This warranty gives you specific legal rights, and you may also have other rights, which vary from state to state.

Hayward Pool Products
620 Division Street
Elizabeth, NJ 07207

*Supersedes all previous publications.



DETACH HERE: Fill out bottom portion completely and mail within 10 days of purchase/installation or register online.

Junction Box Transformer Kit

Warranty Card Registration

Register online at www.hayward.com

Please Print Clearly:

First Name _____ Last Name _____

Street Address _____

City _____ State _____ Zip _____

Phone Number _____ Purchase Date _____

E-Mail Address _____


Serial Number

--	--	--	--	--	--	--	--	--	--	--	--	--	--	--	--	--	--	--	--

Model Number _____

Pool Capacity _____ (U.S. Gallons)

Please include me on all e-mail communications regarding Hayward[®] Equipment or promotions.

 Hayward, ColorLogic[®] and CrystaLogic[™] are registered trademarks of Hayward Industries, Inc.
© 2014 Hayward Industries, Inc.

Years Pool has been in service <input type="checkbox"/> < 1 year <input type="checkbox"/> 1-3 <input type="checkbox"/> 4-5 <input type="checkbox"/> 6-10 <input type="checkbox"/> 11-15 <input type="checkbox"/> >15 Purchased from _____ <input type="checkbox"/> Builder <input type="checkbox"/> Retailer <input type="checkbox"/> Pool Service <input type="checkbox"/> Internet/Catalog Company Name _____ Address _____ City _____ State _____ Zip _____ Phone _____
Type of Pool: <input type="checkbox"/> Concrete/Gunite <input type="checkbox"/> Vinyl <input type="checkbox"/> Fiberglass <input type="checkbox"/> Other _____
<input type="checkbox"/> New Installation <input type="checkbox"/> Replacement
Installation for: <input type="checkbox"/> In Ground <input type="checkbox"/> Above Ground <input type="checkbox"/> Spa

Transformateur pour boîte de jonction de 70 W et 140 W

Pour les lumières d'accent, de piscine et de spa ColorLogic^{MD} et CrystaLogic^{MC}



Table des matières

Avertissements.....	10
Introduction.....	10
Assemblage	11
Câblage en réseau.....	12
Câblage non en réseau.....	12
Avertissements généraux.....	13
Pièces de remplacement.....	15
Garantie et enregistrement	11



Guide d'utilisation

MODÈLES :

LRBUY11H70

LTBUY11H70

LRBUY11H14

LTBUY11H14

CONSIGNES DE SÉCURITÉ IMPORTANTES

Les mesures de sécurité de base doivent toujours être respectées, y compris celles qui suivent. Le non-respect des consignes peut entraîner de graves blessures ou la mort.

⚠ Ceci est le symbole d'avertissement. Lorsque vous voyez ce symbole sur votre appareil ou dans ce guide, il sera accompagné de l'un ou l'autre des mots suivants. Soyez conscient du risque potentiel de blessures corporelles.

⚠ AVERTISSEMENT vous indique qu'il y a un risque qui **pourrait** entraîner de graves blessures corporelles, la mort ou des dommages matériels importants et, si la consigne est ignorée, qu'il y a un risque potentiel.

⚠ MISE EN GARDE vous indique qu'il y a un risque qui entraînera ou qui peut entraîner des blessures corporelles ou des dommages matériels mineurs ou modérés et, si la consigne est ignorée, qu'il y a un risque potentiel. Ce symbole informe également le consommateur au sujet d'actions qui sont imprévisibles et non sécuritaires.

La mention **AVIS** fournit des consignes particulières qui sont importantes, mais qui ne sont pas reliées à des risques.

Hayward Pool Products
2880 Plymouth Drive, Oakville, ON L6H 5R4
Téléphone : 888.238.7665
www.haywardpool.ca



⚠ AVERTISSEMENT – Lisez, comprenez et suivez toutes les consignes et instructions décrites dans ce guide d'utilisation ainsi que celles indiquées sur l'appareil. Le non-respect des consignes et instructions pourrait entraîner de graves blessures ou la mort.



⚠ AVERTISSEMENT – Risque de choc électrique. Tout le câblage électrique DOIT être conforme aux codes et règlements locaux applicables et au Code canadien de l'électricité (CCE). Une tension dangereusement élevée peut causer un choc électrique, des brûlures ainsi que la mort ou d'importants dommages matériels. Pour réduire le risque de choc électrique, N'UTILISEZ PAS de rallonge électrique pour raccorder l'appareil à la source d'alimentation. Assurez-vous que la prise de courant est bien située. **Coupez l'alimentation électrique** avant de travailler sur un appareil sous tension. Remplacez immédiatement tout câble endommagé afin de réduire le risque de choc électrique. Positionnez le conduit de câbles afin de ne pas l'endommager avec la tondeuse, le taille-haie ou tout autre appareil. Ne raccordez PAS le fil de mise à la terre à une conduite de gaz.

⚠ AVERTISSEMENT – Risque de choc électrique. Les lumières ColorLogic installées en réseau ainsi que toutes les connexions qui s'y rattachent sont sous tension en tout temps, même lorsque les lumières sont éteintes! Une tension dangereusement élevée peut causer un choc électrique, des brûlures ainsi que la mort ou d'importants dommages matériels. Pour réduire le risque de choc électrique, **coupez l'alimentation électrique** au disjoncteur principal avant de procéder à l'entretien ou à la réparation des lumières ColorLogic.

Avis – Ce produit devrait être installé et réparé uniquement par un professionnel qualifié.

À L'ATTENTION DE L'INSTALLATEUR – CE GUIDE D'UTILISATION CONTIENT D'IMPORTANTES INFORMATIONS CONCERNANT L'INSTALLATION, LE FONCTIONNEMENT ET L'UTILISATION SÉCURITAIRE DE CE PRODUIT. CE MANUEL DOIT ÊTRE REMIS À L'UTILISATEUR.

Introduction

L'utilisation des transformateurs pour boîte de jonction de Hayward LRBUY11H70 et LRBUY11H14 est nécessaire lorsque des lumières d'accent, de piscine et de spa Universal ColorLogic^{MD} et CrystaLogic^{MC} sont utilisées avec une boîte de jonction de la gamme LJBUY00PP1 de Hayward déjà en place. Ces transformateurs comprennent un couvercle et un ou deux blocs d'alimentation pour piscine de classe 2. Chaque lumière requiert un transformateur Hayward. Le modèle LRBUY11H14 peut être utilisé avec 2 lumières.

Les modèles de transformateur pour boîte de jonction de Hayward LTBUY11H70 et LTBUY11H14 sont utilisés dans le cas de nouvelles installations. Chaque transformateur comprend un couvercle, une base et un ou deux blocs d'alimentation pour piscine de classe 2. Le modèle LTBUY11H14 peut être utilisé avec 2 lumières.

Dans le cas d'une installation avec conduit métallique, veuillez vous procurer l'adaptateur LJADAPTMM1.

Les transformateurs pour boîte de jonction peuvent être utilisés avec les lumières d'accent, de piscine et de spa ColorLogic^{MD} et CrystaLogic^{MC} de Hayward.

LPCUS11XXX	LPCUN11XXX	LSCUS11XXX
LSCUN11XXX	LSLUS11XXX	LPLUS11XXX
LPWUSXXX	LACUSXXX	LYCUSXXX
LACUNXXX	LYCUNXXX	

Transformateur et câblage

Les transformateurs sont conçus pour être fixés à la base de la boîte de jonction à l'intérieur du couvercle. Il y a des compartiments pour les câbles au-dessus et sous la plateforme du transformateur.

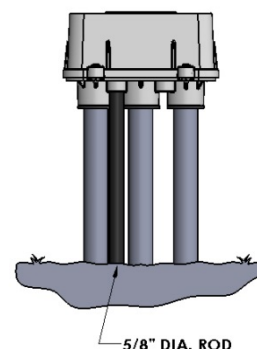
Remarque : Des borniers à levier sont fournis pour faciliter l'installation. Soulevez complètement les leviers avant d'insérer les fils. Rebaissez les leviers pour sécuriser les fils en place.



DIRECTIVES D'ASSEMBLAGE

Afin de s'assurer qu'une fois assemblée la boîte de jonction est étanche, le transformateur doit être installé conformément aux directives suivantes. En respectant ces directives, vous vous assurez que les boîtes de jonction respectent la norme UL 1241 « Boîtes de jonction pour lumières utilisées dans les piscines ». Voir l'illustration de la **page 15**.

- ▲ **AVERTISSEMENT – Risque de choc électrique.** Une tension dangereusement élevée peut causer un choc électrique, des brûlures ainsi que la mort ou d'importants dommages matériels. Assurez-vous que la prise de courant est bien située. **Coupez l'alimentation électrique** avant de travailler sur un appareil sous tension.
- ▲ **AVERTISSEMENT – Risque de choc électrique.** Une tension dangereusement élevée peut causer un choc électrique, des brûlures ainsi que la mort ou d'importants dommages matériels. Les lumières ColorLogic installées en réseau ainsi que toutes les connexions qui s'y rattachent sont sous tension en tout temps, même lorsque les lumières sont éteintes! Une tension dangereusement élevée peut causer un choc électrique, des brûlures ainsi que la mort ou d'importants dommages matériels. Pour réduire le risque de choc électrique, **coupez l'alimentation électrique** au disjoncteur principal avant de procéder à l'entretien ou à la réparation des lumières ColorLogic.
- 13) S'il s'agit d'une installation existante avec une boîte de jonction LJBUYooPP1 de Hayward, dévissez les quatre vis et le couvercle. Vous pouvez jeter le couvercle original.
- 14) Dans le cas d'une nouvelle installation, la base comporte trois conduits de raccordement de 1 po. Le conduit en polymère doit être cimenté à la base. Des raccords étanches à l'eau sont nécessaires. La base doit se trouver minimalement 30 cm (12 po) au-dessus de la surface de la piscine. Au besoin, cimenter les douilles de 3/4 po x 1 po. Pour ce faire, le Oatey^{MD} apprêt transparent pour CPVC et PVC et le Oatey^{MD} ciment moyen clair pour CPVC sont recommandés. Raccordez le conduit de la niche de la piscine à l'un ou l'autre des trous extérieurs. Un soutien mécanique additionnel pour la base est exigé par le Code canadien de l'électricité (CCE). La base est dotée de deux bossages de 5/8 po de diamètre qui peuvent accepter un tube rigide en cuivre de 1/2 po ou une tige de cuivre de 5/8 po. Au moins une tige doit être soutenue dans le sol et correctement située de sorte à passer dans l'un des bossages (consultez l'illustration).
- 15) Installez la lumière dans la niche. Passez le câble de la lumière dans le conduit. Installez la bague antitraction sur le câble.
- REMARQUE : La bague antitraction SPo68oK est conçue pour les câbles STW à 3 conducteurs de calibre 16 et les câbles SJTW à 2 conducteurs de calibre 12. L'emballage comprend deux manchons de plastique permettant de sécuriser un câble SJTW à 2 conducteurs de calibre 14. Ces manchons doivent être glissés sur le câble de la lumière et dans la bague antitraction de caoutchouc.
- 16) Glissez la rondelle, le petit côté vers le haut, par-dessus le câble jusqu'à la bague antitraction. Installez l'écrou de blocage et serrez-le dans le sens horaire de sorte à bien le serrer à la base.
- 17) Dans le cas de niches métalliques, un fil de liaison est nécessaire entre la niche et la boîte de jonction. Ce fil de liaison doit être conforme aux codes locaux (No 8 ou 6 AWG). Il doit être raccordé à l'un des trous du conducteur de terre qui se trouve à l'intérieur de la base de la boîte de jonction.
- 18) Passez un câble électrique qui respecte le Code canadien de l'électricité (CCE) et les codes locaux applicables dans le conduit entre l'alimentation électrique et la boîte de jonction. La conception prévoit l'installation de l'alimentation par le trou du centre.
- 19) Raccordez le conducteur de terre vert de l'alimentation électrique au conducteur de terre dans la boîte de jonction.
- 20) Si aucun autre conduit n'est installé dans la base, scellez l'ouverture non utilisée en cimentant le bouchon fourni.
- 21) Raccordez la boîte de jonction à la grille de mise à la terre à l'aide de la cosse de mise à la terre fournie, comme indiqué au paragraphe 680.26 du NEC (National Electrical Code).
- 22) Effectuez les connexions électriques comme indiqué aux pages suivantes.
- 23) Assurez-vous qu'un joint d'étanchéité est en place. Si le joint d'étanchéité original est en bonne condition, vous pouvez l'utiliser; si ce n'est pas le cas, remplacez-le par un joint d'étanchéité de remplacement.
- 24) Le couvercle Hayward est fixé en place à l'aide de quatre vis et quatre écrous. Le couple vis écrou doit être serré jusqu'à 2 Nm (19 po-lb).



⚠ AVERTISSEMENT – Risque de choc électrique. Une tension dangereusement élevée peut causer un choc électrique, des brûlures ainsi que la mort ou d'importants dommages matériels. Pour réduire le risque de choc électrique, toutes les ouvertures non utilisées dans la base de la boîte de jonction doivent être fermées de façon adéquate.

Câblage pour des lumières Universal ColorLogic en réseau

Si des communications en réseau entre un système de commande ProLogic de Hayward et des lumières Universal ColorLogic sont utilisées, un connecteur Hayward LKBUN1000 doit d'abord être installé.

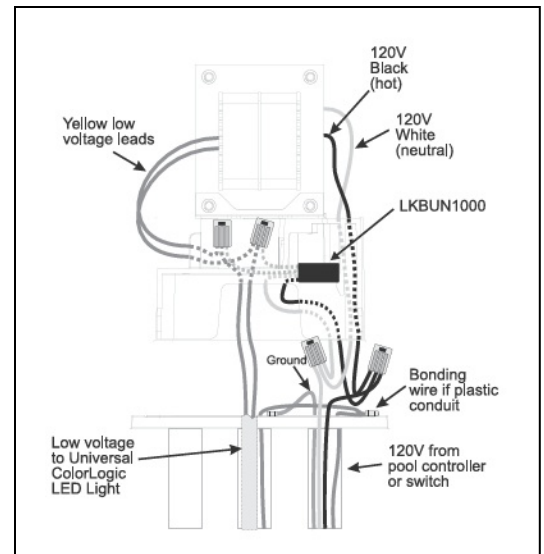
Consultez le guide d'utilisation du connecteur pour les directives d'installation.

Assurez-vous que les connexions de haute et basse tension sont séparées comme indiqué dans le diagramme à droite (les connexions de haute tension sous le boîtier du transformateur et les connexions de basse tension au-dessus).

Du côté de l'entrée, le fil blanc et le fil noir du LKBUN1000 sont connectés en parallèle aux fils d'entrée de 120 V et aux fils principaux blanc et noir du transformateur.

Du côté de la sortie, les fils orange du LKBUN1000 sont connectés en parallèle aux fils jaunes du transformateur et aux fils de sortie jaunes de la lumière Universal ColorLogic.

REMARQUE : L'illustration ci-contre pourrait ne pas montrer le même conduit d'entrée pour la ligne de haute tension que celui que vous trouverez sur le terrain. Le câblage pour deux transformateurs pourrait être nécessaire.



Câblage pour des lumières Universal ColorLogic non en réseau

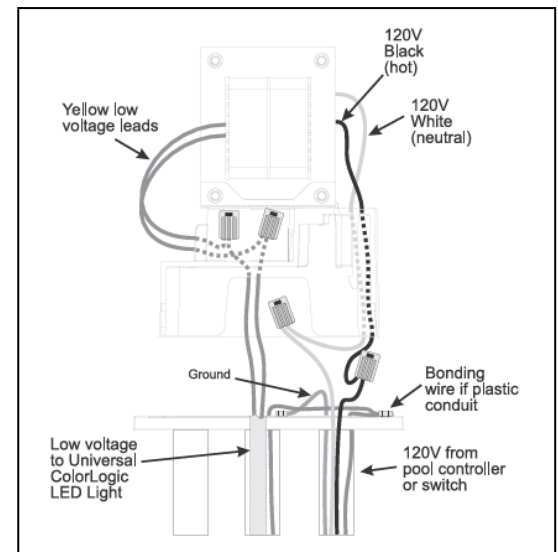
Assurez-vous que les connexions de haute et basse tension sont séparées comme indiqué dans le diagramme à droite (les connexions de haute tension sous le boîtier du transformateur et les connexions de basse tension au-dessus).

Du côté de l'entrée, le fil d'entrée blanc et le fil d'entrée noir de 120 V sont connectés aux fils principaux blanc et noir du transformateur.

Du côté de la sortie, les fils jaunes du transformateur sont connectés aux fils de sortie jaunes de la lumière Universal ColorLogic/CrystaLogic

REMARQUE : L'illustration ci-contre pourrait ne pas montrer le même conduit d'entrée pour la ligne de haute tension que celui que vous trouverez sur le terrain. Le câblage pour deux transformateurs pourrait être nécessaire.

REMARQUE : Une fois le câblage terminé, le couvercle doit être solidement fixé à la boîte de jonction à l'aide de quatre (4) vis et quatre (4) écrous.





⚠ AVERTISSEMENT – Lisez, comprenez et suivez toutes les consignes et instructions décrites dans ce guide d'utilisation ainsi que celles indiquées sur l'appareil. Le non-respect des consignes et instructions pourrait entraîner de graves blessures ou la mort.

⚠ AVERTISSEMENT – Risque de piégeage par aspiration.

L'aspiration dans les sorties d'aspiration et/ou les couvercles de sorties d'aspiration qui sont endommagés, brisés, fissurés, manquants ou fixés de façon non sécuritaire peut causer de graves blessures et/ou la mort à cause des risques de piégeage suivants :



Piégeage des cheveux – Les cheveux peuvent s'entremêler dans le couvercle d'une sortie d'aspiration.



Piégeage d'un membre – Un membre inséré dans l'ouverture d'une sortie d'aspiration ou dans le couvercle d'une sortie d'aspiration qui est endommagé, brisé, fissuré, manquant ou fixé de façon non sécuritaire peut causer de l'enflure ou le coincement mécanique d'un membre.



Piégeage du corps par aspiration – Une pression négative appliquée sur une grande partie du corps ou aux membres peut entraîner le piégeage.

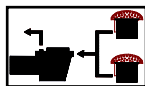


Éviscération/Éventrement – Une pression négative appliquée directement sur les intestins par le biais d'une ouverture d'une sortie d'aspiration ou du couvercle d'une sortie d'aspiration qui est endommagé, brisé, fissuré, manquant ou fixé de façon non sécuritaire peut entraîner l'éviscération ou l'éventrement.

Piégeage mécanique – Il est possible qu'un bijou, un maillot de bain, une décoration de cheveux, un doigt, un orteil ou une jointure se coince dans l'ouverture d'une sortie d'aspiration ce qui pourrait mener au piégeage mécanique.

⚠ AVERTISSEMENT – Pour réduire le risque de piégeage :

- o Lorsque les sorties sont assez petites de sorte qu'une personne puisse les bloquer, au moins deux sorties d'aspiration doivent être installées. Une distance minimale de 1 m (3 pieds), mesurée entre les deux points les plus rapprochés, doit séparer les sorties d'aspiration situées sur une même paroi (mur ou fond).
- o Deux sorties d'aspiration doivent être installées dans des endroits et séparées par des distances qui ne permettent pas à un utilisateur de les bloquer.
- o Deux sorties d'aspiration ne doivent pas être installées sur les places assises ou sur le dossier des places assises.
- o Le débit maximal dans un système ne doit pas dépasser les valeurs indiquées dans le Tableau 1.
- o N'utilisez jamais la piscine ou le spa si l'une des composantes d'une sortie d'aspiration est endommagée, brisée, fissurée, manquante ou fixée de façon non sécuritaire.
- o Remplacez immédiatement toute composante d'une sortie d'aspiration qui est endommagée, brisée, fissurée, manquante ou fixée de façon non sécuritaire.
- o De plus, deux sorties d'aspiration sont nécessaires pour chacune des pompes installées conformément aux plus récentes normes de l'ASME et de l'APSP et aux directives du CPSC. Suivez également tous les codes nationaux, provinciaux, territoriaux et locaux applicables.
- o L'installation d'un casse-vide ou d'un circuit de mise à l'air libre qui libère la force d'aspiration est recommandée.



⚠ AVERTISSEMENT – Omettre de retirer les bouchons pour essais de pression et/ou bouchons utilisés lors de l'aménagement hivernal des sorties d'aspiration peut augmenter le risque de piégeage par aspiration, comme décrit ci-dessus.

⚠ AVERTISSEMENT – Omettre de garder les sorties d'aspiration libres de débris, tels que des feuilles, saletés, cheveux, papiers ou autres peut augmenter le risque de piégeage par aspiration, comme décrit ci-dessus.

⚠ AVERTISSEMENT – Les composantes des sorties d'aspiration ont une durée de vie utile limitée. Le couvercle et la grille doivent être inspectés régulièrement et remplacés au moins tous les sept ans ou lorsqu'ils sont endommagés, brisés, fissurés, manquants ou fixés de façon non sécuritaire.

⚠ MISE EN GARDE – Les composantes telles que le système de filtration, les pompes et le chauffe-piscine doivent être placés de sorte qu'elles ne permettent pas à de jeunes enfants d'avoir accès à la piscine. Pour réduire le risque de blessures, ne permettez pas aux enfants d'utiliser ou de grimper sur cet appareil. En tout temps, supervisez de près les enfants. Les composantes, telles que le système de filtration, les pompes et les chauffe-piscines doivent être placés de sorte qu'elles ne permettent pas aux enfants d'avoir accès à la piscine.



⚠ AVERTISSEMENT – Pression dangereuse. Le système de circulation d'eau d'une piscine ou d'un spa fonctionne sous des pressions dangereuses lors du démarrage, du fonctionnement normal et après l'arrêt de la pompe. N'approchez pas de l'appareil associé au système de circulation au moment du démarrage de la pompe. À cause de la pression dans le système, le non-respect des instructions de fonctionnement et consignes de sécurité peut provoquer la séparation violente du boîtier de la pompe et de son couvercle et/ou du boîtier du filtre et de son anneau de retenue ce qui peut causer des dommages matériels et de graves blessures ou la mort. Avant de procéder à l'entretien du système de circulation de l'eau d'une piscine ou d'un spa, les commandes du système de circulation et de la pompe doivent être en position « OFF » et la vanne manuelle de mise à l'air libre du filtre ouvert. Avant de démarrer la pompe du système, toutes les vannes du système doivent être réglées à une position qui permet à l'eau de retourner vers la piscine. Ne changez pas la position de la vanne de commande de la pompe alors que la



HAYWARD®

pompe fonctionne. Avant de démarrer la pompe du système, ouvrez complètement la vanne manuelle de mise à l'air libre du filtre. Ne fermez pas la vanne manuelle de mise à l'air libre du filtre avant qu'un jet d'eau continu ne circule (pas d'air ou un mélange d'air et d'eau).



⚠ AVERTISSEMENT – Risque de séparation. Le non-respect des instructions de fonctionnement et consignes de sécurité peut provoquer la séparation violente des composantes de la pompe et/ou du filtre. Le couvercle de la crépine doit être fixé adéquatement au boîtier de la pompe à l'aide de l'anneau de retenue du couvercle de la crépine. Avant de procéder à l'entretien du système de circulation de l'eau de la piscine ou du spa, la vanne manuelle de mise à l'air libre doit être ouverte. Ne faites pas fonctionner le système de circulation de l'eau de la piscine ou du spa si l'une ou l'autre des composantes n'est pas assemblée de façon adéquate ou est endommagée ou manquante. **Ne jamais faire fonctionner ou vérifier le système de circulation alors que la pression est supérieure à 50 psi. Ne purgez pas le système avec de l'air comprimé.** La purge du système avec de l'air comprimé peut causer l'explosion de certaines composantes et entraîner de graves blessures ou même la mort de toute personne à proximité. Utilisez seulement un ventilateur à basse pression (moins de 5 psi) et à haut volume lorsque vous purgez une pompe, le filtre ou la tuyauterie avec de l'air comprimé.



⚠ AVERTISSEMENT – Risque de choc électrique. Tout le câblage électrique DOIT être conforme aux codes et règlements locaux applicables et au Code canadien de l'électricité (CCE). Une tension dangereusement élevée peut causer un choc électrique, des brûlures ainsi que la mort ou d'importants dommages matériels. Pour réduire le risque de choc électrique, N'UTILISEZ PAS de rallonge électrique pour raccorder l'appareil à la source d'alimentation. Assurez-vous que la prise de courant est bien située. Coupez l'alimentation électrique avant de travailler sur un appareil sous tension. Remplacez immédiatement tout câble endommagé afin de réduire le risque de choc électrique. Positionnez le conduit de câbles afin de ne pas l'endommager avec la tondeuse, le taille-haie ou tout autre appareil. Ne raccordez PAS le fil de mise à la terre à une conduite de gaz.

⚠ AVERTISSEMENT – Risque de choc électrique. Négliger de mettre à la terre tout appareil électrique peut engendrer un risque de choc électrique grave, même mortel. Tout appareil électrique doit être mis à la terre avant d'être raccordé à l'alimentation électrique.

⚠ AVERTISSEMENT – Risque de choc électrique. Négliger de lier tout appareil électrique à la structure de la piscine augmente le risque de décharge électrique qui pourrait causer des blessures ou la mort. Pour réduire le risque de choc électrique, lisez les instructions d'installation et consultez un électricien quant à la façon de lier tout appareil électrique. Consultez également un électricien pour connaître les exigences des codes électriques locaux en matière de liaison de l'appareil.

Remarques aux électriciens : Utilisez un conducteur de cuivre continu de 8 AWG ou plus. Raccordez un fil continu entre la cosse de mise à la terre et une barre ou un treillis d'armature. Raccordez un fil de liaison de cuivre continu de 8 AWW (8,4 mm²) [au Canada 6 AWG (13,3 mm²)] au connecteur de fil à pression présent sur l'appareil électrique et toutes pièces de métal de la piscine, du spa et aux conduites de métal (sauf les conduites de gaz) dans un rayon de 1,5 m (5 pi) des murs intérieurs de la piscine ou du spa.

IMPORTANT – Consultez les codes du CCE pour toutes les normes en matière de câblage y compris, mais sans s'y limiter, la mise à la terre, la liaison et autres procédures générales de câblage.

⚠ AVERTISSEMENT – Risque de choc électrique. L'appareil électrique doit être raccordé uniquement à un circuit d'alimentation protégé par un disjoncteur de fuite à la terre (GFCI). Le disjoncteur de fuite à la terre doit être fourni par l'installateur et doit être testé régulièrement. Pour tester le disjoncteur, appuyez sur le bouton « Test ». Le disjoncteur de fuite à la terre doit couper le courant. Appuyez ensuite sur le bouton « Reset ». L'alimentation électrique devrait être rétablie. Si le disjoncteur ne fonctionne pas de cette façon, il est défectueux. Si le disjoncteur de fuite à la terre coupe le courant sans que le bouton « Test » ait été appuyé, un courant à la terre circule; il y a donc possibilité de choc électrique. N'utilisez pas cet appareil. Déconnectez cet appareil électrique et confiez la réparation à un représentant qualifié avant de l'utiliser.

⚠ MISE EN GARDE – Les pompes HAYWARD^{MD} sont conçues pour fonctionner avec des piscines installées de façon permanente et peuvent également être utilisées avec un spa, lorsque cela est indiqué. N'utilisez pas cet appareil avec une piscine démontable. Une piscine installée de façon permanente est construite sur ou dans le sol ou dans un édifice de sorte qu'elle ne peut pas être démontée et entreposée facilement. Une piscine démontable est construite pour être démontée et entreposée facilement et ensuite être réinstallée en reprenant sa forme d'origine.

⚠ AVERTISSEMENT – Risque d'hypothermie. Afin d'éviter l'hypothermie, les « Règles de sécurité pour les spas » qui suivent sont recommandées par le Consumer Product Safety Commission des États-Unis :

1. La température de l'eau d'un spa ne devrait jamais dépasser 40 °C (104 °F). Une température de 38 °C (100 °F) est considérée comme étant sécuritaire pour un adulte en santé. On recommande de faire preuve de prudence dans le cas des jeunes enfants. Une immersion prolongée dans l'eau chaude peut causer de l'hyperthermie.
2. La consommation de boissons alcoolisées avant ou pendant l'utilisation d'un spa peut entraîner des étourdissements qui peuvent causer une perte de conscience et mener à une noyade.
3. Les femmes enceintes doivent être prudentes! Tremper dans une eau à une température excédant 38 °C (100 °F) peut avoir des effets nocifs sur le fœtus dans les trois premiers mois de la grossesse (pouvant entraîner la naissance d'un enfant déformé ou atteint de lésion cérébrale). Les femmes enceintes devraient respecter la règle fixant la température maximale à 38 °C (100 °F).

4. Avant d'entrer dans le spa, les utilisateurs devraient vérifier la température de l'eau à l'aide d'un thermomètre précis; la régulation de la température par le thermostat d'un spa peut être erronée de 2,2 °C (4 °F).
5. Les personnes qui prennent des médicaments qui causent de la somnolence comme les tranquillisants, les antihistaminiques ou les anticoagulants ne devraient pas utiliser le spa.
6. Si la piscine ou le spa sont utilisés dans le cadre d'un traitement, l'utilisation devrait se faire selon les recommandations d'un médecin. Agitez toujours l'eau de la piscine ou du spa avant d'y entrer afin de mélanger l'eau en surface qui est plus chaude et qui pourrait excéder les limites de températures saines et entraîner des blessures. N'altérez pas les boutons de commande, puisque vous pourriez subir des échaudures si les commandes de sûreté ne fonctionnent pas adéquatement.
7. Les personnes qui ont des antécédents de maladie du cœur ou de problèmes de circulation, de diabète ou de pression sanguine devraient consulter un médecin avant d'utiliser un spa.
8. L'hyperthermie se produit lorsque la température interne du corps atteint des températures plusieurs degrés au-dessus de la température normale du corps qui est de 37 °C (98.6 °F). Les symptômes d'hyperthermie comprennent : la somnolence, la léthargie, les étourdissements, la perte de conscience et l'augmentation de la température interne du corps.

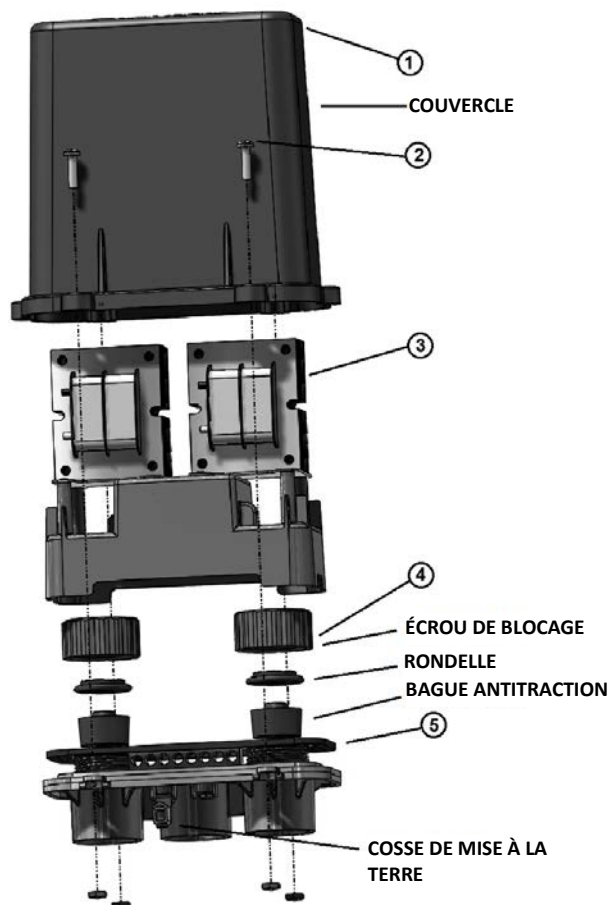
Les effets de l'hypothermie comprennent :

1. Ignorance d'un danger imminent
2. Incapacité à percevoir la chaleur
3. Incapacité à reconnaître qu'il est temps de sortir du spa
4. Incapacité physique à sortir du spa
5. Effets nocifs sur le fœtus chez les femmes enceintes
6. Perte de conscience qui entraîne un risque de noyade

CONSERVEZ CES INSTRUCTIONS

PIÈCES DE REMPLACEMENT

N° DE RÉFÉRENCE	NUMÉRO DE LA PIÈCE	DESCRIPTION	QUANTITÉ REQUISE
1	SPXo68oBICL	Couvercle, encastrement, 4 vis et écrous pour le couvercle et joint d'étanchéité pour le couvercle	1
2	SPX15ooNPAK4	Ensemble de vis et d'écrous pour le couvercle (4)	1
3	SPXo68oTRF	Transformateur UCL	1 ou 2
4	SPXo683PAK	Écrou de blocage, rondelle et bague antitraction	1 ou 2
5	SPXo683J	Joint d'étanchéité	1





ENREGISTREMENT DU PRODUIT

DATE D'INSTALLATION _____



Conservez ce certificat de garantie pour vos dossiers dans un endroit sûr et pratique.

Garantie limitée de HAYWARD^{MD} Pool Products Canada Inc.

À l'acheteur original de ce produit, Hayward Pool Products Canada garantit ses transformateurs, blocs d'alimentation et connecteurs pour lumières Universal ColorLogic et CrystaLogic contre tout défaut de matériau ou de fabrication pour une période d'UN (1) an à partir de la date d'achat, lorsqu'ils sont utilisés dans des applications résidentielles unifamiliales.

La garantie limitée exclut les dommages causés par le gel, la négligence, une installation inadéquate, une utilisation ou un entretien inadéquat ou toute calamité naturelle. Durant la période de garantie, les pièces défectueuses seront réparées ou remplacées, à notre discrétion, sans frais dans les 90 jours suivant la réception du produit défectueux, à moins de circonstances imprévues.

La preuve d'achat est nécessaire pour obtenir un service en vertu de la garantie. Si la preuve d'achat n'est pas disponible, la date de fabrication du produit sera utilisée comme seule preuve d'achat.

Pour obtenir un service en vertu de la garantie, veuillez communiquer avec le lieu d'achat ou avec le centre de service Hayward autorisé le plus près. Pour de l'aide concernant le centre de service Hayward le plus près, veuillez visiter le www.haywardpool.ca.

Hayward n'est pas responsable des coûts de transport, des coûts de main-d'œuvre liés au démontage, à la réparation ou à la réinstallation de même que de tout coût encouru pour obtenir des pièces de remplacement ou une réparation en vertu de la garantie.

La garantie offerte par Hayward Pool Products Canada ne s'applique pas aux composants fabriqués par d'autres. Pour ces produits, les garanties offertes par leurs fabricants respectifs s'appliquent.

La garantie expressément citée ci-dessus constitue la garantie complète offerte par Hayward Pool Products à l'égard de ses produits de piscine et remplace toute autre garantie explicite ou implicite, y compris les garanties de valeur commerciale ou d'adaptation à un usage particulier. En aucun cas, Hayward Pool Products ne sera responsable de dommages indirects, particuliers ou accessoires, quelle qu'en soit la nature.

Certaines provinces ou certains territoires ne permettent pas de limiter la durée d'une garantie implicite ou l'exclusion de dommages indirects ou accessoires de sorte que la limite citée ci-dessus pourrait ne pas s'appliquer dans votre cas. Cette garantie vous confère des droits légaux précis et vous pourriez également jouir d'autres droits qui varient d'une province ou d'un territoire à l'autre.

Hayward Pool Products Canada
2880, rue Plymouth Drive
Oakville (Ontario)

*Remplace toute publication ultérieure.

DÉTACHEZ ICI : Remplissez complètement la partie du bas et postez-la dans les 10 jours suivant l'achat ou l'installation ou enregistrez le produit en ligne.



Carte d'enregistrement de la garantie

Transformateur pour boîte de jonction

Veuillez écrire lisiblement :

Prénom _____ Nom _____

Adresse _____

Ville _____ Prov. _____ Code postal _____

Tél. _____ Date d'achat _____

Courriel _____

Numéro de série

--	--	--	--	--	--	--	--	--	--	--	--	--	--	--	--	--	--	--	--	--

Numéro de modèle _____

Volume de la piscine _____ (gallons américains ou litres)

Veuillez me faire suivre toute communication électronique au sujet de l'équipement ou des promotions Hayward.

Postez à l'attention de : Warranty Dept, Hayward Pool Products Canada inc., 2880, rue Plymouth Dr., Oakville (Ontario) L6H 5R4

ou enregistrez votre garantie en ligne au : WWW.HAYWARDPOOL.CA

Nombre d'années depuis l'installation de la piscine

< 1 an 1-3 4-5 6-10 11-15 >15

Achetée de _____

Constructeur Détaillant Service de piscine

Internet/ Catalogue

Nom de la compagnie _____

Adresse _____

City _____ State _____ Zip _____

Phone _____

Type de piscine :

Béton Vinyle Fibre de verre

Autre _____

Nouvelle installation Remplacement

Installation pour :

Creusée Hors terre Spa



Hayward^{MD}, ColorLogic^{MD} et CrystaLogic^{MC} sont des marques déposées de Hayward Industries inc.
© 2016 Hayward Industries inc.