



HCF SERIES
SAND FILTER 48"

HCF SERIES
SAND FILTER 63"

FILTRATION MADE EASY.

Clear, clean and safe water with easy maintenance.

The large-format HCF Series sand filters are designed to provide the ultimate in filtration performance and durability. Larger sizes eliminate the need to use multiple smaller filters, meaning you'll save valuable floor space and reduce installation and plumbing complexity—and simplify maintenance and backwashing, too. Constructed with heavy-duty filament-wound fiberglass, a UV-protected resin and corrosion-proof internals, the large-format HCF Series sand filters offers a powerful, streamlined filtration solution for the recreational water market.



OPTIMIZED FILTER DESIGN

Multi-diffuser heads and oversized laterals in HCF sand filters improve water distribution and filtration, while an industrial valve and pressure gauge setup enhances durability and accuracy.



POWERFUL CORROSION RESISTANCE

Corrosion-proof resin, fiberglass construction with UV protection guards against the elements, while PVC and ABS injection-molded slotted laterals resist corrosion.



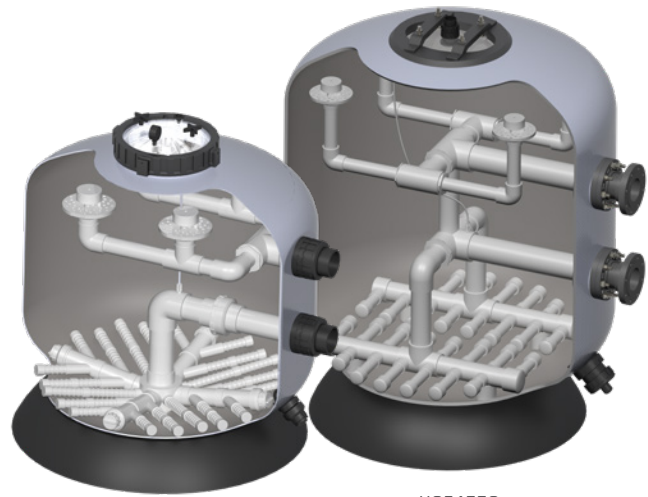
EASE OF ACCESS & SIMPLE OPERATION

The clear lid is easily accessible from the top of the filter to troubleshoot and simplify operation. Hayward commercial-grade filters always include standard unions and/or ANSI flanges.



KEY FEATURES

- » **Large-format filters** eliminate the need for multiple smaller filters, saving valuable space while providing flow rates up to 432 GPM
- » **Manufactured from heavy-duty filament-wound fiberglass** for high-performance and durability
- » **Industrial-grade laterals & quad diffusers** improve filtration and lengthen filter cycle time
- » **Durable fiberglass base** for sturdy installation
- » **Reduced installation & plumbing complexity** with simplified maintenance and backwashing
- » **Drain port conveniently located** in the center of the filter

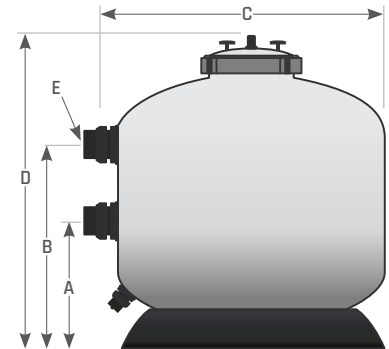


HCF342C

HCF455C

DIMENSIONS

FILTER MODEL NUMBER	DIMENSIONS (IN.)					GRAVEL/SAND QTY. LBS.	INSTALLATION CLEARANCE (IN.)		CARTON WEIGHT LBS.	CARTON DIMENSIONS (LxWxH)
	A	B	C	D	E		VERT.	HOR.		
HCF342C	19.64	31.46	42	48.66	3	225/1400	18	4	224.8	46.1" x 43.3" x 49.2"
HCF348C	27.12	38.94	48	58.03	3	600/2250	18	4	275.5	51.2" x 50" x 57.9"
HCF455C	31.90	48.90	55	74.50	4	500/5300	18	4	599.5	63" x 59.1" x 74.8"
HCF663C	28.22	47.22	67.25	75.82	6	850/6800	18	4	698.7	70.9" x 66.9" x 76.4"



TECHNICAL SPECIFICATIONS & PERFORMANCE DATA

PART NUMBERS	HCF342C		HCF348C		HCF455C		HCF663C	
Size of Fiberglass Sand Filter	42"		48"		55"		63"	
Filtration Area/ft ² /M ²	9.83	0.91	13.40	1.24	16.49	1.53	21.64	2.01
Filtration Rate GPM/ft ²	5-20		5-20		5-20		5-20	
Filtration Flow Rate at 15 GPM/ft ² (GPM) (LPM)	147	559	201	762	247	937	324	1230
Filtration Flow Rate at 20 GPM/ft ² (GPM) (LPM)	196	745	268	1014	329	1249	432	1639
Backwash Flow Rate GPM/ft ²	5-20		5-20		5-20		5-20	
Maximum Working Pressure (PSI)	50		50		50		50	
Multiport Valve Part Number	HCV375C		HCV375C		HCV475C		HCV475C*	
Multiport Maximum Flow Rate (GPM)	285		285		476		476	
Inlet/Outlet Connection Type (Included)	Union/ANSI Flange		Union/ANSI Flange		ANSI Flange		ANSI Flange	
Inlet/Outlet Port Diameter	3"		3"		4"		6"	

*The HCV475C Multiport is a 4" ANSI flange connection, the HCF663C is 6" ANSI connection. In-field plumbing with bushings will be required to adapt this filter.

» haywardcommercialpool.com » 1-800-HAYWARD

Hayward, Hayward & Design and the H logo are registered trademarks of Hayward Industries, Inc. All other trademarks not owned by Hayward are the property of their respective owners. Hayward is not in any way affiliated with or endorsed by those third parties. © 2024 Hayward Industries, Inc.

CMHCFBWSF24

 INNOVATION MADE EASY.